



BATMAZ GROUP
INTERNATIONAL ARMS & SECURITY



PUMP ACTION SHOTGUN INSTRUCTION MANUAL

READ THE INSTRUCTIONS AND
WARNINGS IN THIS MANUAL
CAREFULLY BEFORE USING THIS FIREARM

S A A M I[®]

SPORTING ARMS AND AMMUNITION MANUFACTURERS' INSTITUTE, INC.
SINCE 1926



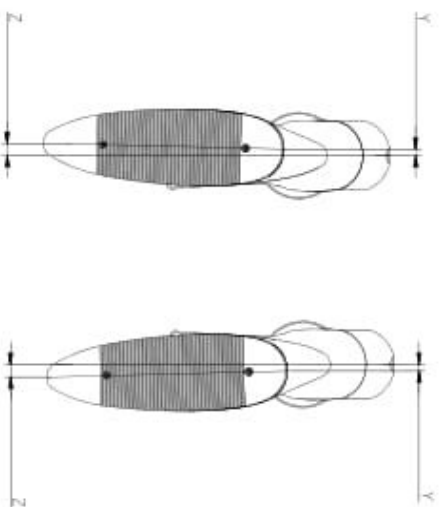
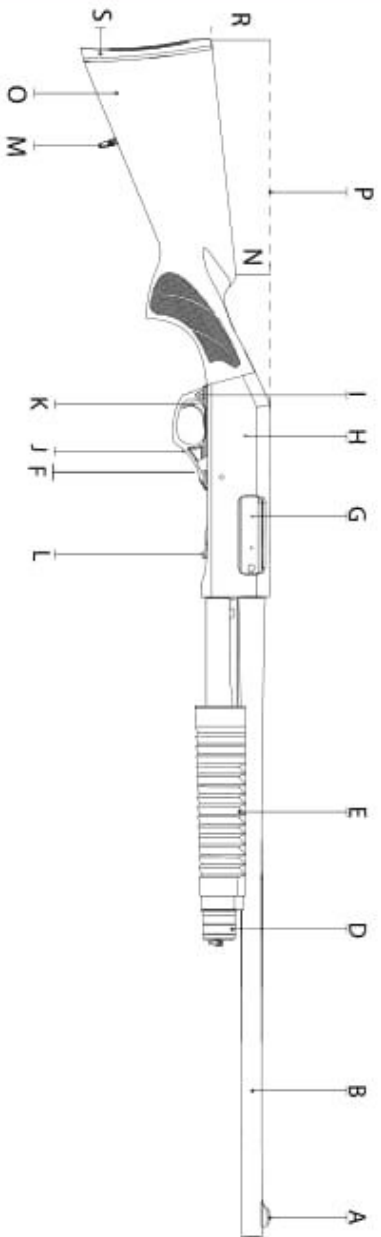
STORING YOUR SHOTGUN IN A CARRYING CASE IS NOT ADVISABLE. RUST MAY OCCUR DUE TO TRAPPED MOISTURE IN THE CASE.

1-SAFETY RULES

WARNING: THE FAILURE TO FOLLOW THESE SHOTGUN SAFETY REQUIREMENTS WILL CAUSE SERIOUS PERSONAL INJURY OR DEATH TO YOU OR OTHERS.

- ALWAYS TREAT A FIREARM AS IF IT WERE LOADED. NEVER ASSUME THAT IT IS UNLOADED.
- NEVER POINT THE FIREARMS AT SOMETHING THAT IS NOT SAFE TO SHOOT.
- ALWAYS STORE FIREARMS TO PREVENT CHILDREN FROM HAVING ACCESS TO THEM. IT IS YOUR RESPONSIBILITY TO INSURE THAT UNAUTHORIZED PERSONS DO NOT GAIN ACCESS TO YOUR FIREARM. TO REDUCE THE RISK OF ACCIDENTS INVOLVING CHILDREN, UNLOAD YOUR FIREARM, LOCK IT AND STORE THE AMMUNITION IN A SEPARATE LOCKED LOCATION.
- ALWAYS WEAR ADEQUATE AND PROPER EAR PROTECTORS.
- ALWAYS WEAR SAFETY PROTECTIVE GLASSES SPECIFIED FOR FIREARM USE.
- ALWAYS BE ALERT AND ALWAYS FOLLOW THE SAFETY INSTRUCTIONS OF THE RANGE OFFICER. NEVER SHOOT IF YOU ARE TIRED, COLD OR IMPAIRED IN ANY WAY.
- ALWAYS BE AWARE OF YOUR SURROUNDINGS, AND BE ALERT THAT PEOPLE CAN WALK INTO YOUR LINE OF FIRE.
- THE SHOOTER (AND ALL OTHERS IN THE SHOOTING AREA) MUST ALWAYS BE IN A POSITION THAT IS OUT OF THE LINE OF FIRE.
- NEVER SHOOT AT HARD SURFACES, WATER OR RANDOMLY INTO THE SKY. ALWAYS SELECT A PLACE TO SHOOT THAT HAS A SAFE BACKSTOP AND IS FREE FROM OBSTRUCTIONS AND WATER SURFACES WHICH CAUSE RICOCHETS.
- NEVER CLIMB A TREE, FENCE OR OBSTRUCTION WITH A LOADED FIREARM. OPEN AND EMPTY THE CHAMBER OF YOUR FIREARM AND ENGAGE THE MANUAL SAFETY BEFORE CLIMBING OR DESCENDING A TREE OR BEFORE CLIMBING A FENCE OR JUMPING OVER A DITCH OR OBSTRUCTION.
- NEVER TRANSPORT A LOADED FIREARM.
- NEVER USE ALCOHOL OR DRUGS BEFORE OR WHILE SHOOTING OR HANDLING ANY FIREARM.

2-NOMENCLATURE



- | | | |
|---------------------------------|----------------------------------|----------------------------------|
| A Bead Front Sight | H Receiver | O Stock |
| B Barrel | I Safety | P Line of Sight |
| D Fore-End Retaining Nut | J Trigger Group Housing | Q Length of Pull |
| E Fore-End | K Trigger | R Drop at Heel |
| F Action Release Lever | L Carrier | S Butt Plate / Recoil Pad |
| G Bolt (Complete) | M Stock Swivel (Complete) | Y Top Advance Angle |
| | N Drop at Comb | Z Bottom Advance Angle |

3-INITIAL ASSEMBLY AND INSPECTING

- Your shotgun is shipped from the factory with the barrel not assembled to the receiver (Figure 1).



- Unscrew the fore-end retaining nut (Figure 2) and assemble the barrel to the receiver carefully (Figure 3). In order to assemble the barrel comfortably, the action must be closed.



- Following the assembly of the barrel, screw the fore-end retaining nut (Figure 4).



4-SAFETY BUTTON

The safety is designed to stop the trigger mechanism.

The safety on any gun is a mechanical device, and it is not intended as a substitute for common sense or safe gun handling. Always keep the muzzle pointed in a safe direction.

- The safety is located behind the trigger, and provides protection against accidental or unintentional discharge under normal usage when properly engaged.
- To engage the safety, push the button so that it protrudes from the right side of the gun and the **RED RING CAN NOT BE SEEN** (Figure 5). The safe should always be in the “on” or “safe” position until you intend to fire the gun.
- When you are ready to fire the gun, press the safety button to the “off” or “fire” position, so that the safety protrudes from the left side of the shotgun and the **RED RING APPEARS** (Figure 6).

WARNING: The gun will fire when the trigger is pulled intentionally or accidentally when the RED RING APPEARS.



5-LOADING AND USAGE

WARNING: WHILE LOADING, KEEP THE SAFETY "ON" AT ALL TIMES AND KEEP THE MUZZLE AIMING AT A SAFE DIRECTION.

To load your pump action shotgun, check the carrier under the receiver. You will see that it is possible to move the carrier into the receiver. Now, insert shells into the magazine tube by pushing them using your thumb (Figure 7). Note that your gun is factory limited to 3 shells - 2 in the magazine and 1 in the chamber - using a magazine plug. To chamber a shell when you are done with loading, open and close the action by pulling the forend backwards, and then moving it forwards (Figure 8) till the action is locked. As the first shell is chambered, you can now add one more shell into the magazine tube. Now, you are ready to fire. When the trigger is pulled, the shell in the chamber is fired. To extract the fired shell and chamber the next one, you need to open and close the action by pulling the forend backward, and moving it forward.

NOTE: Note that you do not need to push the action release lever after pulling the trigger, since the action unlocks automatically after the hammer falls and the action can be cycled without depressing the action release lever.



WARNING: To prevent unexpected ignition and potential injuries, be certain that each round you use is in the proper gauge!

Always keep your fingers away from the trigger while loading your gun!

6-UNLOADING THE SHOTGUN

WARNING: WHILE UNLOADING, KEEP THE SAFETY "ON" AT ALL TIMES AND KEEP THE MUZZLE AIMING AT A SAFE DIRECTION.

To unload the shells in the chamber and magazine tube, push the action release lever located on the right side of the trigger guard protruding from the receiver (Figure 9). This releases the action, and you can now open&close the action. By pulling the forend backwards, and then moving it forwards (opening&closing the action), the shell in the muzzle is extracted first, and then the ones in the magazine tube are extracted one by one (Figure 10).



7-DISASSEMBLY

- Unscrew the fore-end retaining nut (Figure 11) and take the barrel off by pulling it forward (Figure 12).



- Remove the fore-end moving it carefully forward (Figure 13). You will see that the action bar and the bolt come out of the receiver along with the fore-end (Figure 14). Next, disassemble the action bar from the fore-end, and the bolt from the action bar (Figure 15&16).

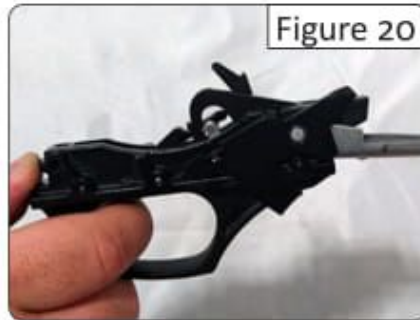


- Using tools like a pin and a soft head hammer, remove the pin (Figure 17) and take the trigger group housing out (Figure 18).

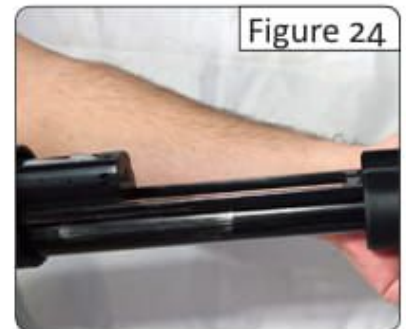


8-REASSEMBLY

- Firstly, place the trigger group housing (Figure 19), and insert the trigger group housing pin with the help of a soft head hammer etc. Before putting the trigger group housing into its place, make sure that the hammer is cocked. Figure 20 shows the cocked state, and Figure 21 shows the decocked state of the hammer.



- Afterwards, connect the bolt to the action bar (Figure 22), and attach this combination to the fore-end (Figure 23), and finally assemble this fore-end/action bar/bolt combination by sliding it carefully into the receiver (Figure 24) till the bolt reaches its usual position.



- Finally, attach the barrel to the receiver (Figure 25), and screw the forend retaining nut (Figure 26).

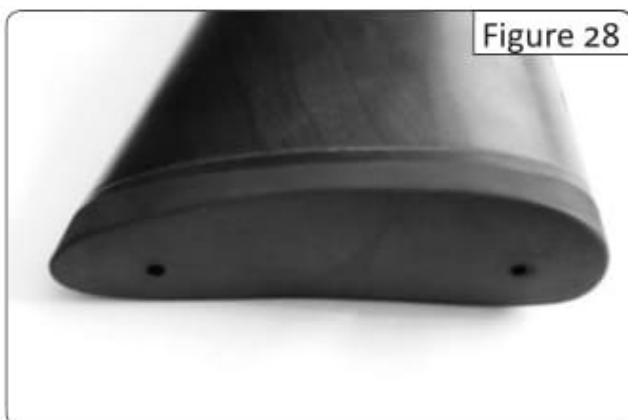


9. ADJUSTABLE STOCK

- Each shotgun is provided with a set of stock shims to assist the shooter in obtaining a personalized fit to the sighting plane. The stock is user adjustable for either cast or stock drop. This adjustment is made by replacing the plastic shim located between the receiver and the stock (Figure 27). Note that only one shim can be inserted between stock & receiver.



- The factory installed shim is marked CIP which provides a neutral cast and standard drop dimensions of the comb. The shim kit includes two replacement shims that change the cast of the stock, either Left 5 or Right 5. These spacers do not affect the stock drop.
- The kit includes three replacement shims that change the drop of the stock. The slope of the drop in the stock can be changed from standard to -10, or -5 or a positive 5 direction.
- Replacing the stock shim requires the removal of the butt pad. The butt pad is attached by two Philips head screws. To detach the pad;
- Locate the screws on the pad (Figure 28).
- Lubricate the shaft of the screw driver to prevent damaging the rubber pad (Figure 29).



- Once the pad is removed, loosen and remove the stock bolt and its washer using a wrench (Figure 30), and pull the stock free from the receiver (Figure 31). Note that it is not necessary to remove both of the screws on the pad; you may unscrew one of them and pivot the pad to gain access to the bolt (note that it may change depending on the type of butt pads).

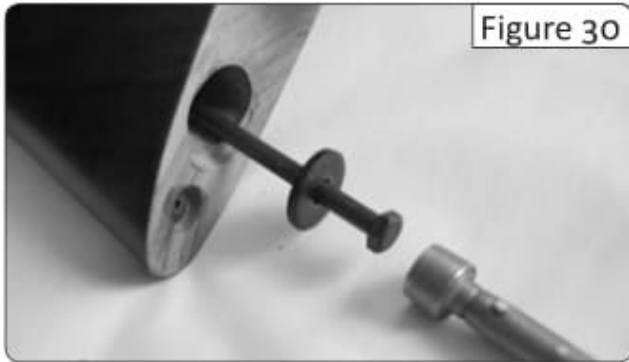


Figure 30



Figure 31

- Remove and replace the shim for a personalized stock fit (Figure 32), and re-attach the stock and tighten the stock bolt (Figure 33).
- Re-attach the butt pad with lubricated screw driver (Figure 34).



Figure 32








Figure 33



Figure 34

12. INSTALLATION OF CHOKE TUBES

With the choke tubes you can controls the openness or tightness of the pattern of your shotgun. The chart below lists the chokes available (from open to tight), and the corresponding marks that indicate the choke of your shotgun.

AMERICAN DESIGNATION	CL (Cylinder)	IC (Improved Cylinder)	M (Modified)	IM (Improved Modified)	F (Full)
CHOKE TUBE					
NOTCHES	★★★★★	★★★★	★★★	★★	★
COMPATIBILITY WITH SLUGS	Recommended	Not Recommended	Not Recommended	Not Recommended	Not Recommended
COMPATIBILITY WITH STEEL SHOT	Recommended	Recommended	Recommended	Not Recommended	Not Recommended
BEST IN THE AREA OF	Sporting, clay and skeet shooting. Short distance, more open shooting.	Quail, dove and target shooting. For shorter distance more open shooting.	Hunting woodcock, pheasant & quail with 30-35 yard shots. Long range hunting with steel shot and tight groups.	For hunting pheasant, ducks with 30-40 yard shots.	For duck and goose hunting with 40-45 yard shots. For long range hunting with lead shot and tight groups.

All the five choke tubes are included in the package in a specially designed box (Figure 35). Note that "M (Modified)" choke tube is factory mounted.



WARNING: When installing a choke tube in your barrel, make sure that the tube is completely screwed down tight in the barrel, never shot your shotgun without the choke tubes installed as this may damage the barrel and injure the shooter. Choke tubes may become loose after extended firing and should be checked frequently of tightness.

* MOBILE CHOKES ARE NOT AVAILABLE FOR ALL PUMP ACTION MODELS

13. USE OF CHOKE TUBES

INSTALLATION OF CHOKE TUBES

WARNING: Check that the firearm is unloaded. If not, unload the firearm by operating as described in the chapter “Unloading the shotgun”. Never look into the muzzle or change tube on a loaded gun; even with safety is set “on”.

- Apply a thin coat of gun oil to the threads of the barrel and of the choke tube.
- Insert the desired choke into the choke housing. Take care the notched end will be upside.
- Carefully hand screw the choke into the barrel clockwise (Figure 36).
- Using the choke tube Wrench; tighten the choke until it is fully bottomed into its recess in the barrel.
- Remove the choke tube wrench after tightening.

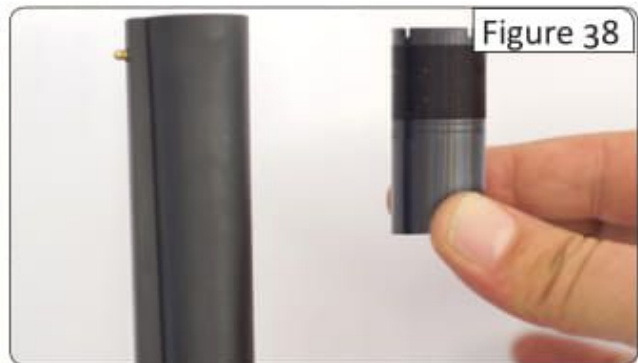


13. USE OF CHOKE TUBES

REMOVAL OF CHOKE TUBES

WARNING: Check that the firearm is unloaded. If not, unload the firearm by operating as described in the chapter “Unloading the shotgun”. Never look into the muzzle or change tube on a loaded gun, even with safety engaged.

- Unscrew (counterclockwise) the choke tube using the choke tube wrench supplied (Figure 37). Remove the choke tube from the muzzle (Figure 38).



CLEANING OF CHOKE TUBES

WARNING: Check that the firearm is unloaded. If not, unload the firearm by operating as described in the chapter “Unloading the shotgun”. Never look into the muzzle or change tube on a loaded gun, even with safety is set “on”.

- Carefully clean the choke housing. If necessary, use a cotton patch coated with gun oil.
- Check the choke to make sure it is perfectly clean inside and outside.
- Apply a thin coat of gun oil to the threads of the barrel and of the choke tube.

14. PARTS LIST

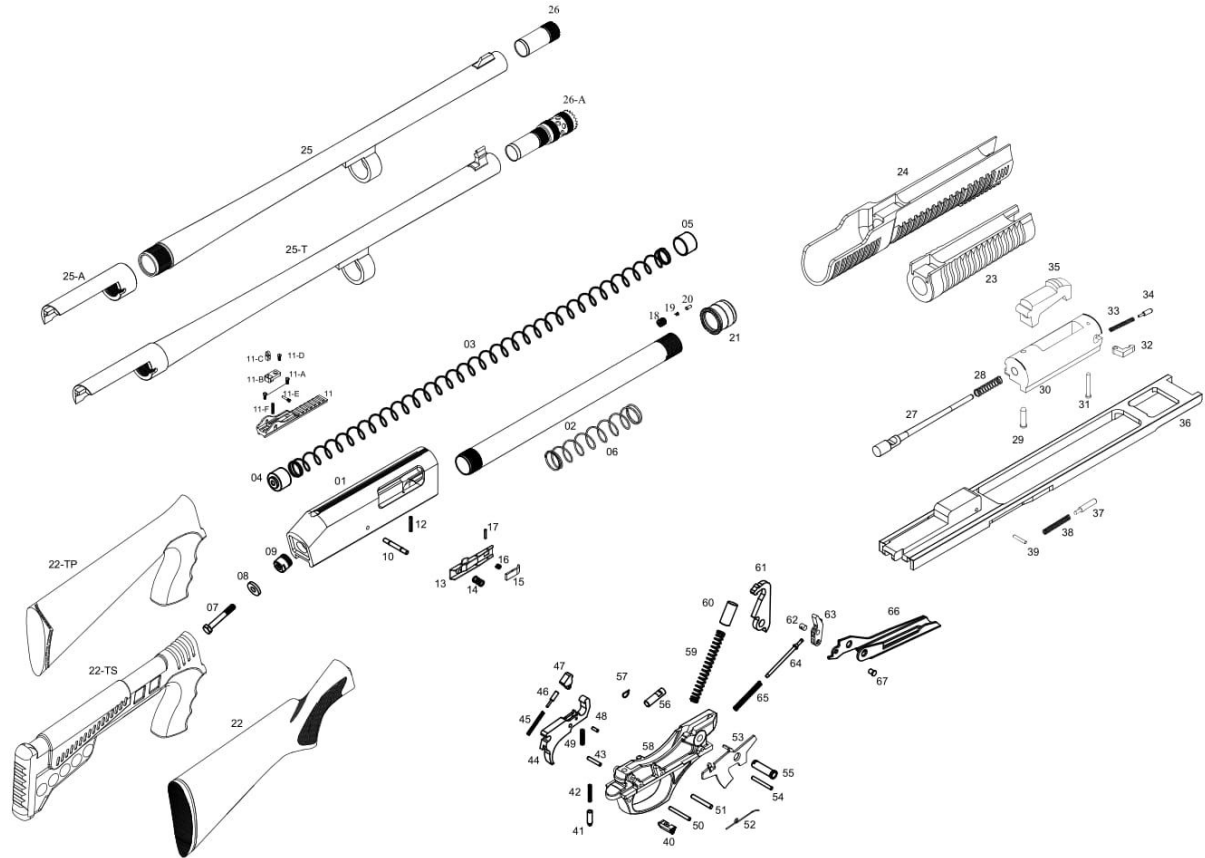
1	Receiver
2	Magazine Tube
3	Magazine Spring
4	Rear Magazine Plug
5	Front Magazine Plug
*6	Recoil Spring (Optional)
7	Through Bolt
8	Stock Washer
9	Stock Retaining Nut
10	Trigger Group Retaining Pin
11	Picatinny Rail
11-A	Picatinny Rail Retaining Screw (2 pcs.)
11-B	Ghost Ring Base
11-C	Ghost Ring
11-D	Ghost Ring Base Retaining Screw
11-E	Ghost Ring Adj. Screw
11-F	Ghost Ring Adj. Spring
12	Carrier Lock Pin
13	Carrier Lock
14	Carrier Lock Spring
15	Shell Latch
16	Shell Latch Spring
17	Shell Latch Pin
18	Ratchet Screw
19	Ratchet Spring
20	Ratchet Pin
21	Forend Retaining Nut
22	Stock
22-TS	Tactical Stock
22-TP	Tactical Stock
23	Forend (Short)
24	Forend (Long)
25	Barrel
25-A	Barrel Breech
25-T	Barrel (Tactical)
26	Mobile Choke
26-A	Muzzle Brake Choke
27	Firing Pin
28	Firing Pin Spring

29	Firing Pin Stop
30	Bolt
31	Extractor Retaining Pin
32	Extractor
33	Extractor Spring
34	Extractor Spring Pin
35	Locking Block
36	Action Bar
37	Bolt Take-Up Pin
38	Bolt Take-Up Spring
39	Bolt Take-Up Pin Stop
40	Safety
41	Safety Spring Guide
42	Safety Spring
43	Safety Spring Pin
44	Trigger
45	Disconnecter Spring
46	Disconnecter Spring Pin
47	Disconnecter
48	Disconnecter Pin
49	Trigger Spring
50	Trigger Stop Pin
51	Trigger Pin
52	Action Release Lever Spring
53	Action Release Lever
54	Hammer Stop Retainer Pin
55	Hammer Retainer Bushing
56	Hammer Stop
57	Retaining Circlip
58	Trigger Group Housing
59	Hammer Spring
60	Hammer Spring Guide
61	Hammer
62	Carrier Lever Pin Bearing
63	Carrier Lever
64	Carrier Lever Spring Pin
65	Carrier Lever Spring
66	Carrier
67	Carrier Lever Rivet

INDEX

1. SAFETY RULES.....	3
2. NOMENCLATURE.....	4
3. INITIAL ASSEMBLY AND INSPECTING.....	5
4. SAFETY BUTTON.....	6
5. LOADING AND USAGE.....	7
6. UNLOADING THE SHOTGUN.....	8
7. DISASSEMBLY.....	9
8. REASSEMBLY.....	10
9. ADJUSTABLE STOCK.....	11-12
10 ADJUSTABLE COMB STOCK.....	13-14
11 ADJUSTABLE BUTT PLATE.....	15-16
12. INSTALLATION OF CHOKE TUBES.....	17
13. USE OF CHOKE TUBES.....	18-19
14. PARTS LIST.....	20
15. EXPLODED VIEW.....	21-22
16. CLEANING AND MAINTENANCE.....	23

15-EXPLODED VIEW



WARRANTY CARD

PURCHASER _____

Street _____

City _____ State _____ Zip _____

Phone _____

Purchase Date _____

PRODUCT: Model _____ Gauge _____ Serial # _____

SIGNATURE _____

Please sign and return this card to validate warranty

BE COURTEOUS

When shooting or hunting always acquire the permission of the landowner. Respect the land. Don't litter the area. Drive vehicles only where advance permission has been granted and always express gratitude for use of another person's land. Remember you are helping and developing a reputation for all sportsmen/sportswomen.



BATMAZ GROUP
INTERNATIONAL ARMS & SECURITY

BATMAZ GROUP DIŐ TİCARET VE PAZARLAMA

Address: Yeni Mah. 40657. Sok. No 29/4 Beyşehir, Konya TURKEY

Web: <https://www.batmazgroup.com/>

Email: export@batmazgroup.com

